



Ball vibrators K

Ball vibrators, simple and good.
Wide range for many applications.

Properties

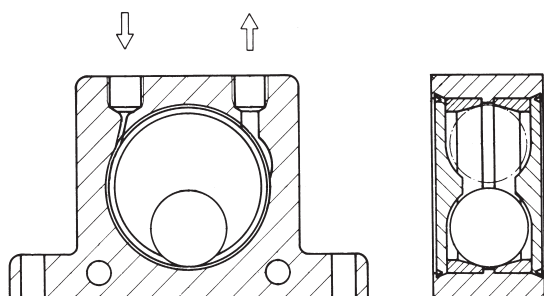
- Powerful
- Rated frequency 7'300 – 35'000 rpm
- Centrifugal force 130 – 4'050 N
- Continuously variable
- Can be used at up to 100 °C
- 150 °C on request

Field of application

- Emptying of bunkers
- Screen filters
- Vibrating tables
- Preventing adhesions in pipelines and silos
- Moving of goods

Construction

- Vibration by means of a ball ball that is guided by hardened steel guides.
- Nylon plates on both sides to support the ball and as a protection from dust and water.
- Housing with 4 mounting bores, depending on the application.

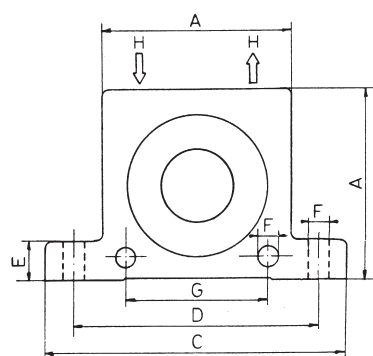


Housing made from extruded aluminium alloy
Hardened guides made of steel
Nylon end plates
Hardened ball

Technical data (in detail and with PSI, LBS, CF: www.findeva.com)

Model	Vibrations 1000 rpm		Centrifugal force N		Air consumption l rpm	
	2 bars	6 bars	2 bars	6 bars	2 bars	6 bars
K-8	25.5	35	130	360	83	195
K-10	22.5	34	250	710	92	200
K-13	15	22.5	320	870	94	225
K-16	13	19.5	450	1100	122	280
K-20	10.5	16.5	720	1720	130	340
K-25	9.2	14	930	2050	160	425
K-30	7.8	12.5	1510	3210	215	570
K-36	7.3	10	2060	4050	260	675

Sizes and weights in mm and g (more details and including inches at www.findeva.com)



Model	A	Width	C	D	E	F	G	H Thread BSP	Weight
K-8	50	20	86	68	12	7	40	1/4"	130
K-10	50	20	86	68	12	7	40	1/4"	130
K-13	65	24	113	90	16	9	50	1/4"	260
K-16	65	27	113	90	16	9	50	1/4"	300
K-20	80	33	128	104	16	9	60	1/4"	530
K-25	80	38	128	104	16	9	60	1/4"	630
K-30	100	44	160	130	20	11	80	3/8"	1130
K-36	100	50	160	130	20	11	80	3/8"	1340