

Roller vibrators R

Simply constructed high-frequency roller vibrators, wide range for many applications.

Properties

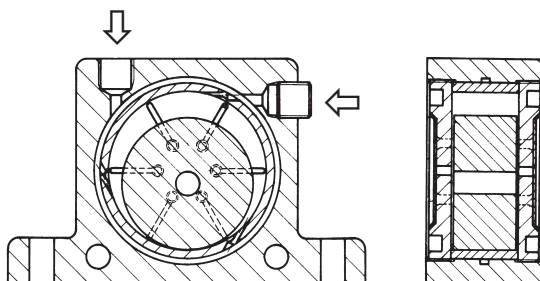
- High torque
- Rated frequency 10'000 – 36'000 rpm
- Centrifugal force 1'070 – 12'500 N
- Continuously variable
- Can be used at up to 150 °C
- Resistant to extreme environmental conditions

Field of application

- Emptying of hoppers and chutes
- Screen filters
- Conveying of particulates
- Preventing adhesions in pipelines and silos
- Transport of fine powders
- Compacting of plastic and concrete in troughs

Construction

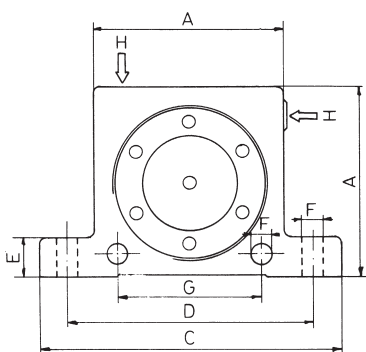
- Vibration created by a rotating precision-steel roller
- Shockproof plastic end plates
- Housing with 4 mounting bores, depending on the application



Housing made from extruded aluminium alloy
 Cast iron strip
 Steel roller
 Plastic end plates

Technical data (in detail and with PSI, LBS, CF: www.findeva.com)

Model	Vibrations 1000 rpm		Centrifugal force N		Air consumption l rpm	
	2 bars	6 bars	2 bars	6 bars	2 bars	6 bars
R-50	25.0	36.0	1070	4220	100	195
R-65	19.0	26.0	2730	6120	200	400
R-80	15.5	19.0	3000	7450	290	570
R-100	11.0	16.0	3750	8900	370	730
R-120	10.0	12.5	8000	12500	500	970



Sizes and weights in mm and g (more details and including inches at www.findeva.com)

Model	A	Width	C	D	E	F	G	H Thread BSP	Weight
R-50	50	29	86	68	12	7	40	1/8"	240
R-65	65	37	113	90	16	9	50	1/4"	545
R-80	80	43	128	104	16	9	60	1/4"	950
R-100	100	52	160	130	20	11	80	3/8"	1810
R-120	120	77	194	152	24	17	-	3/8"	4260