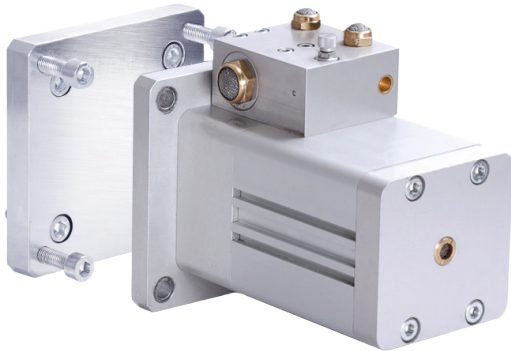


KFZ-080

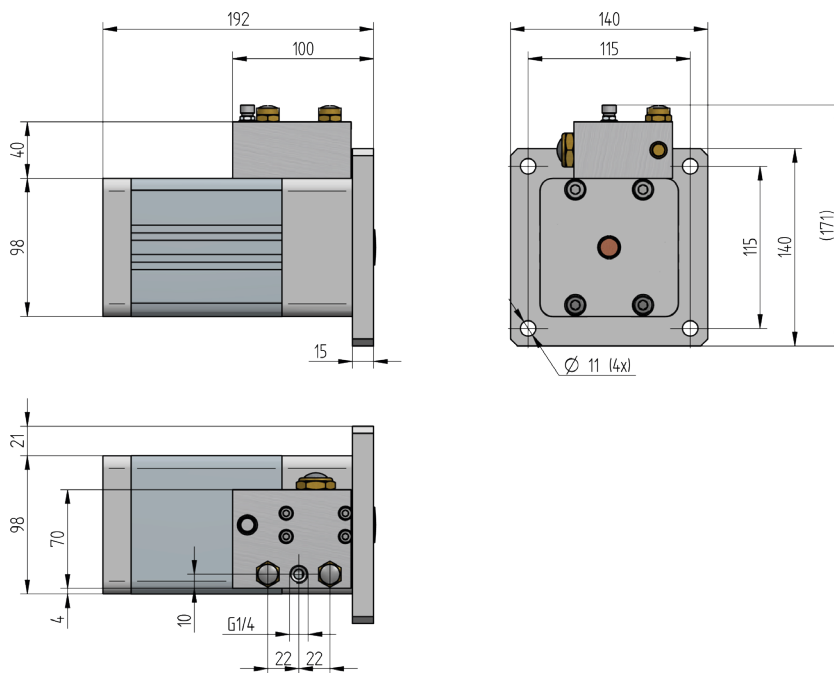
Pneumatic Impactor





DbYi a UhjW-a dUWcf

Operating pressure	4 ... 10 bar
Diameter	Ø 80 mm
Medium	Compressed air
Temperature range	-25°C ... +80°C
Mounting position	any
Port size	G1/4"
Impact force	10 Nm
Switching frequency	120 - 540 strokes/min (including flow regulator valve for adjusting the frequency)
Pre-set switching frequency	180 - 300 strokes/min



The KFZ-080 pneumatic impactor is converting pneumatic energy from compressed air into mechanical energy. It generates impulses comparable to a hitting hammer for knocking stubborn residues from walls, pipes and containers.

Using the impactor also simplifies the process of emptying tanks, silos or other reservoirs.

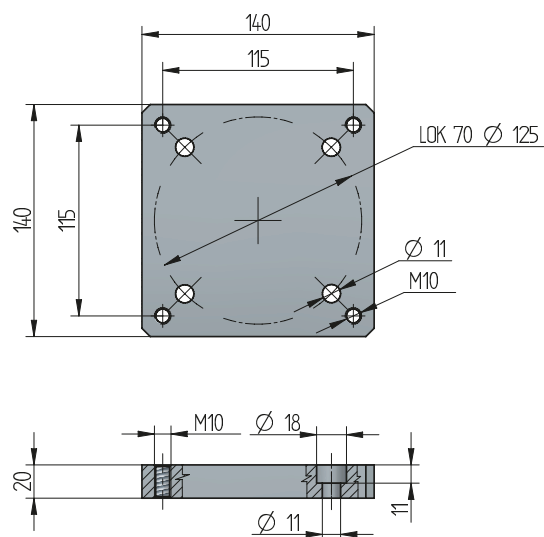
The maximum switching frequency of 540 strokes per minute enables a rapid loosening of materials from the reservoir wall. The frequency can be adjusted by an integrated flow regulator valve.

The impactor is operated by an oscillating valve which is fixed on the outside. It automatically starts its operation once pressure is applied.



Optional Accessory: Adapter plate

The A KFZ-080 SET adapter plate makes the Hafner impactor compatible with the old LOK 70 impactor which has been widely used in the industry. The adapter plate is supplied with 8 screws.



Hafner-Pneumatik Krämer KG
Stammheimerstraße 10
D-70806 Kornwestheim
Germany
E-Mail: info@hafner-pneumatik.de